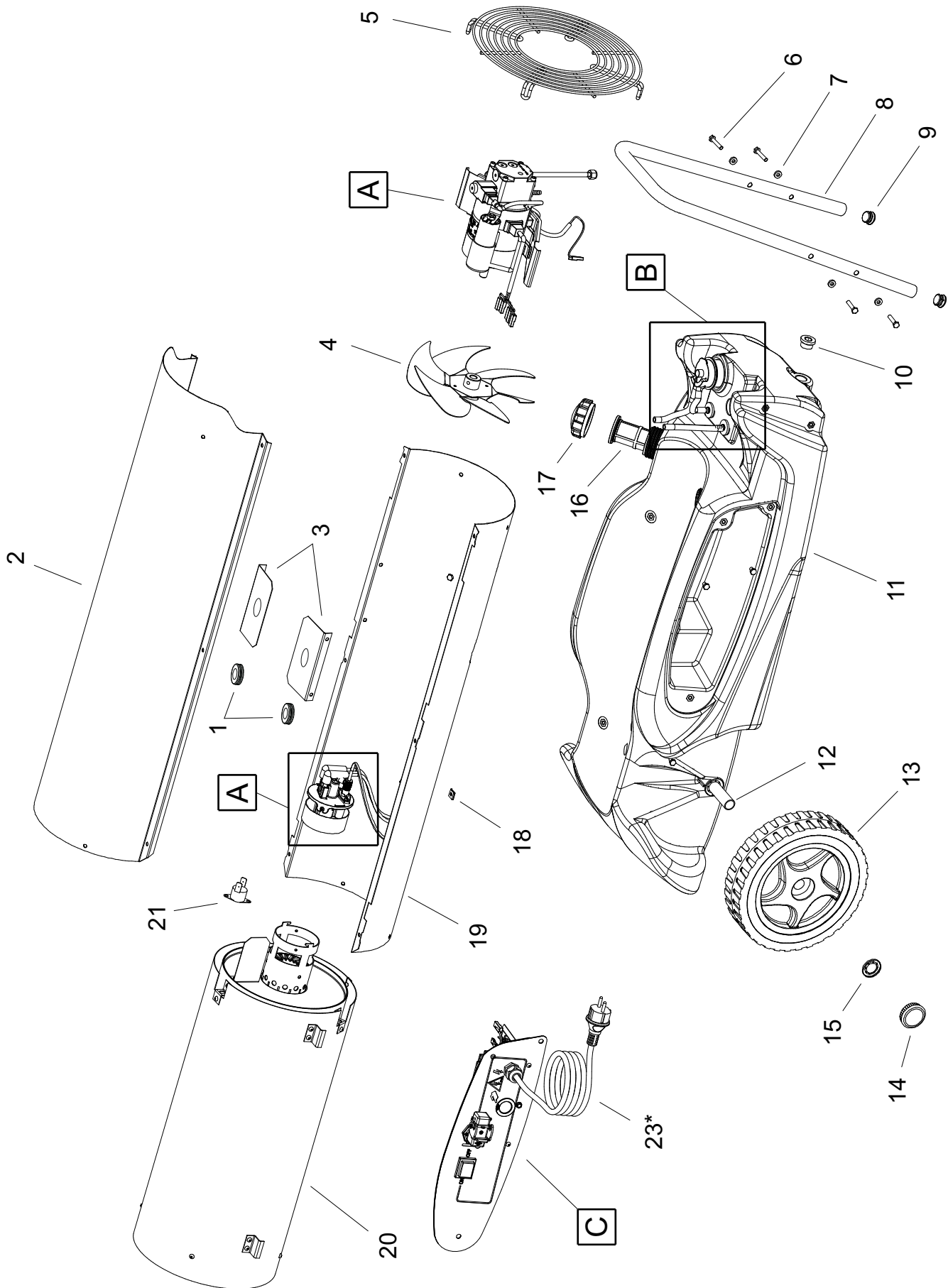
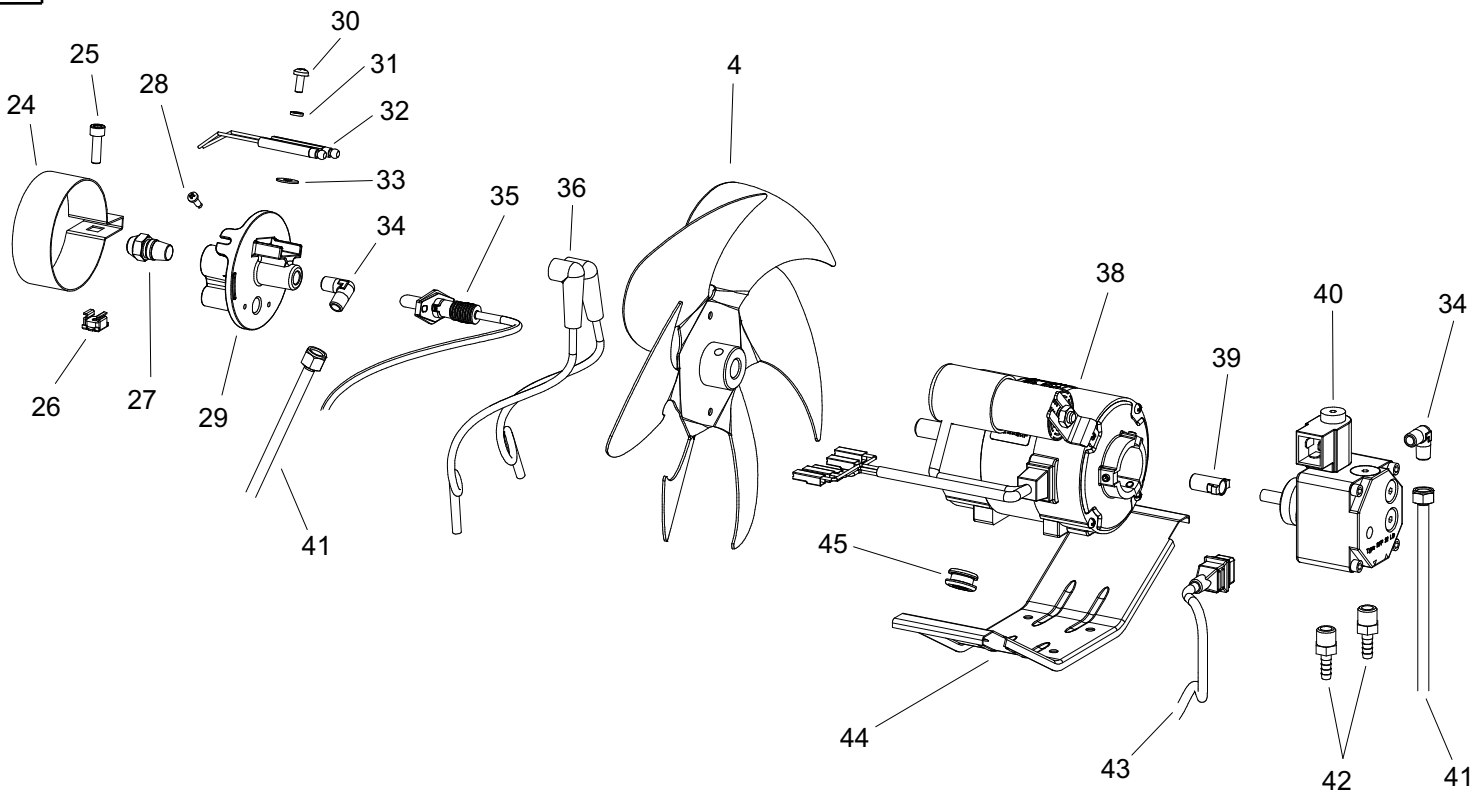


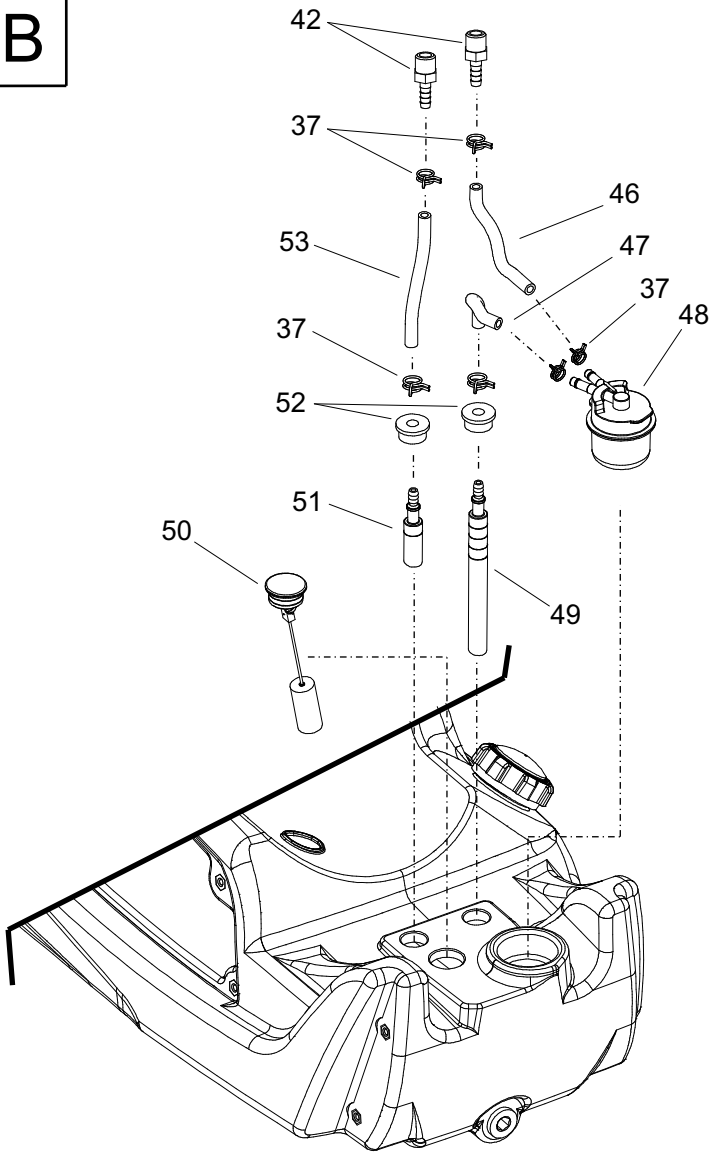
From Serial Number: 04233000449



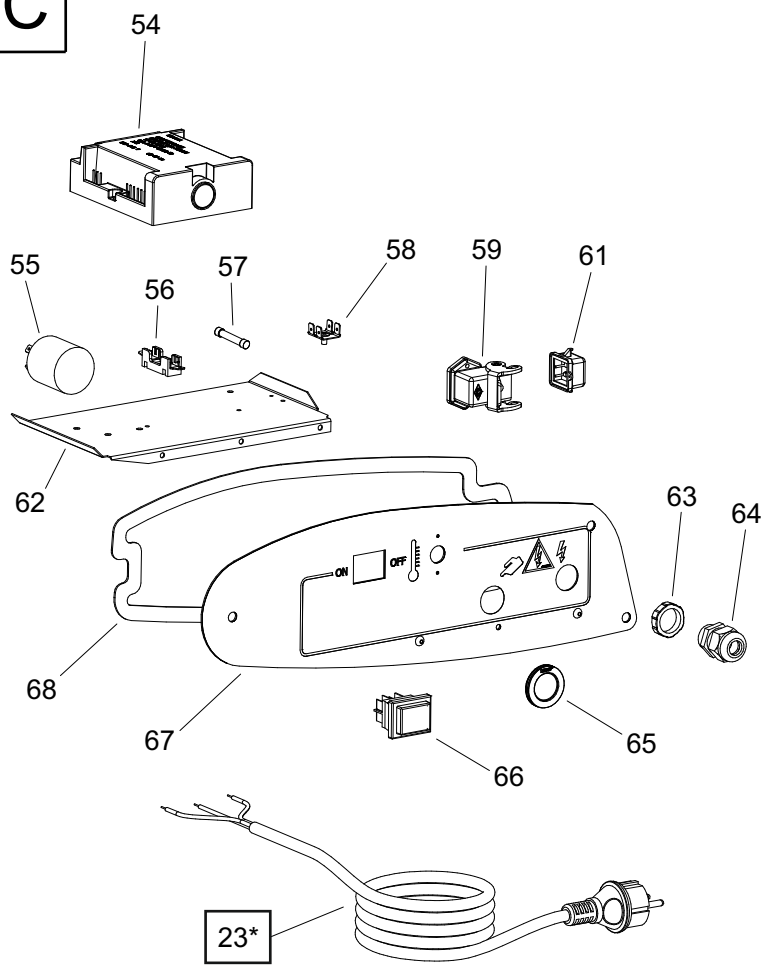
A



B



C



Pos.	Code NR	Description
1	4160.646	CABLE PROTECTION
2	4033.014	UPPER SHELL
3	4033.028	AIR FLAP
4	4032.814	FAN
5	4032.836	INLET GRID
6	4140.665	SCREW
7	4160.272	WASHER
8	4032.811	HANDLE
9	4032.979	CAP
10	4032.813	DRAIN PLUG
11	4033.267	TANK
12	4032.809	AXLE
13	4032.094	WHEEL
14	4111.480	WHEEL CAP
15	4111.072	WHEEL HOLDER
16	4201.185	TANK FILTER
17	4032.846	TANK CAP
18	4104.170	CLIP NUT
19	4033.013	LOWER SHELL
20	4032.998	COMBUSTION CHAMBER
21	4032.883	LIMIT THERMOSTAT
23*	4033.253	POWER CORD SCHUKO
23-A	4033.252	POWER CORD NEW ZEALAND
23-B	4033.302	POWER CORD UK
24	4032.545	AIR REGULATION FLAP
25	4032.455	SCREW
26	4032.454	CAGE NUT
27	4031.020	NOZZLE
28	4161.956	SCREW
29	4033.042	BURNER FLANGE
30	4110.363	SCREW
31	4110.393	AUTOLOCK WASHER
32	4033.123	BIFILAR ELECTRODE
33	4110.394	FIBER WASHER
34	4033.198	ELBOW
35	4033.022	PHOTOCELL

Pos.	Code NR	Description
36	4032.885	HIGH TENSION CABLES
37	4100.810	PIPE CLAMP
38	4033.219	MOTOR
39	4111.081	COUPLING
40	4111.042	PUMP
41	4033.187	FLEXIBLE OIL PIPE
42	4032.906	FITTING
43	4032.342	SOLENOID SPOOL CORD
44	4032.835	MOTOR BRACKET
45	4032.947	CABLE PROTECTION
46	4033.269	OIL PIPE FILTER-PUMP
47	4033.268	OIL PIPE TANK-TANK FILTER
48	4260.107	FUEL FILTER
49	4110.355	OIL SUCTION LINE
50	4260.099	FUEL GAUGE
51	4033.038	OIL DISCHARGE LINE
52	4100.541	RUBBER BUSHING
53	4110.032	OIL DISCHARGE PIPE
54	4033.017	IGNITION CONTROL
55	4032.771	POWER LINE RFI FILTER
56	4033.301	FUSE HOLDER
57	4032.850	FUSE
58	4160.639	POP RIVET TERMINAL 4 WAY
59	4111.119	THERMOSTA SOCKET
61	4162.467	CAP FOR THERMOSTAT SOCKET
62	4033.292	ELECTRICAL COMPONENTS BASE
63	4100.656	NUT
64	4150.528	STRAIN RELIEF
65	4033.251	BOARD BUTTON CAP
66	4165.204	SWITCH
67	4033.272	ELECTRICAL PANEL
	4033.273	ADHESIVE
68	4033.274	PANEL GASKET

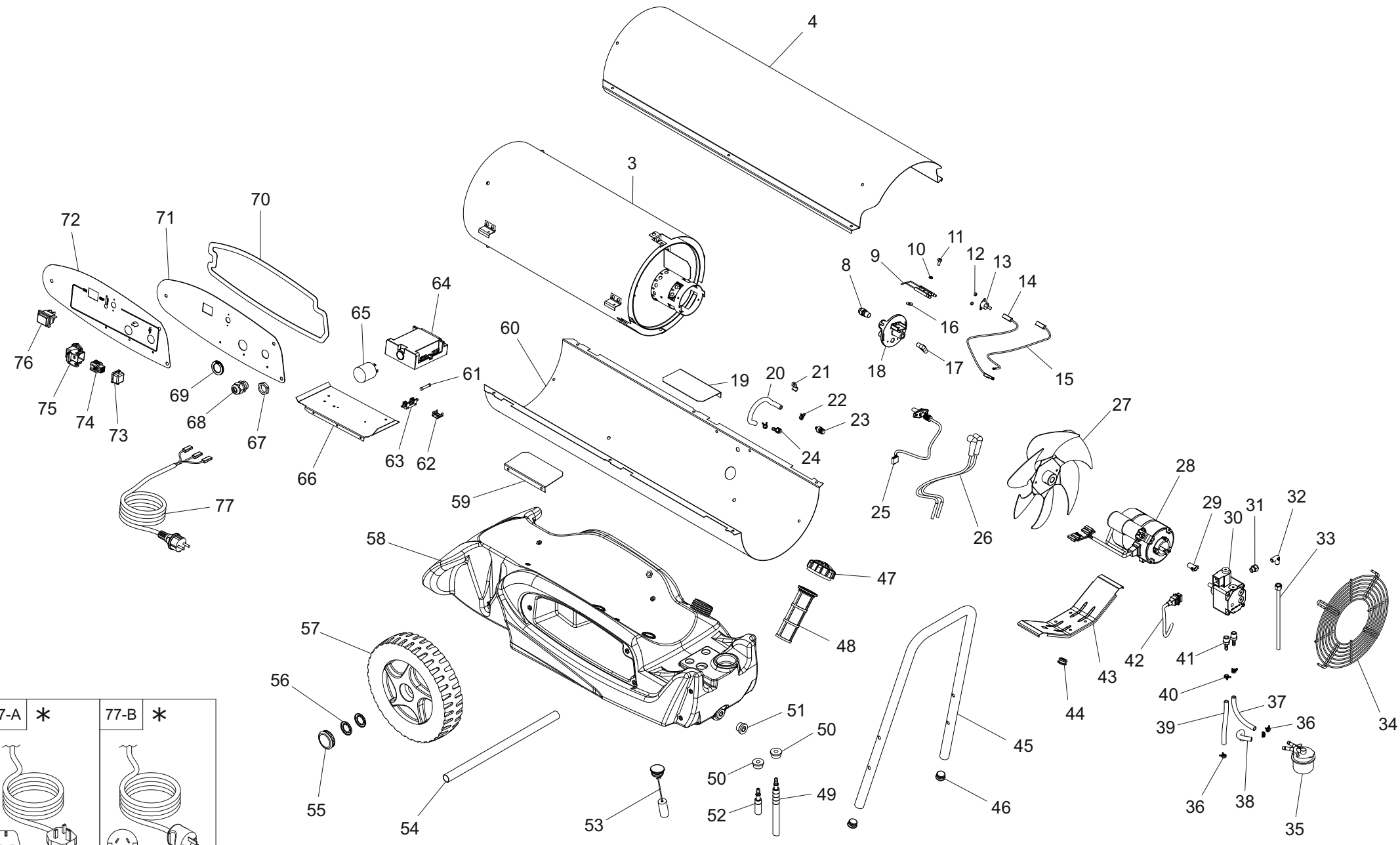
MODEL B 130 - 220-240 V / 50 Hz

UNIT 1

ILLUSTRATED PARTS BREAKDOWN

From Serial Number: 06837000522

Rev.C - Mar. 2017



77-A *	77-B *
POWER CORD UK (type G)	POWER CORD New ZL (type I)

Pos.	Code NR	Description
3	4032.998	COMBUSTION CHAMBER
4	4032.832	UPPER SHELL
8	4031.020	NOZZLE
9	4033.123	BIFILAR ELECTRODE
10	4110.393	ELASTIC WASHER
11	4160.601	SCREW
12	4032.692	SPACER
13	4032.883	SAFETY THERMOSTAT
14	4111.087	THERMOSTAT WIRE
15	4032.946	THERMOSTAT WIRE
16	4110.394	FIBER WASHER
17	4033.198	90° CONNECTION
18	4033.042	COMBUSTION HEAD
19	4033.028	AIR FLAP
20	4110.032	RUBBER PIPE
21	4034.368	CLIP
22	4100.810	CLAMP
23	4260.246	BREATHE VALVE
24	4034.390	STRAIGHT CONNECTION
25	4032.776	PHOTOCELL
26	4032.885	HIGH TENSION WIRES
27	4032.814	FAN
28	4033.219	MOTOR
29	4111.081	MOTOR COUPLING
30	4111.042	FUEL PUMP
31	4161.501	STRAIGHT CONNECTION
32	4033.198	90° CONNECTION
33	4033.187	OIL PIPE
34	4032.836	GRILLE
35	4260.107	FUEL FILTER
36	4100.810	CLAMP
37	4033.269	RUBBER PIPE
38	4033.268	RUBBER PIPE
39	4110.032	RUBBER PIPE
40	4100.810	CLAMP
41	4032.906	STRAIGHT CONNECTION
42	4032.342	ELECTROVALVE WIRE
43	4032.835	MOTOR SUPPORT
44	4032.947	WIRE PROTECTION

Pos.	Code NR	Description
45	4032.811	HANDLE
46	4032.979	CAP
47	4032.704	TANK CAP
48	4201.185	TANK FILTER
49	4100.355	SUCTION PIPE
50	4100.541	RUBBER BUSH
51	4032.813	TANK DRAIN CAP
52	4033.038	DISCHARGE PIPE
53	4260.099	FUEL GAUGE
54	4032.809	WHEELS AXLE
55	4111.480	WHEELS CAP
56	4111.072	BLOCK WASHER
57	4032.094	WHEEL
58	4034.387	TANK
59	4033.028	AIR FLAP
60	4034.394	LOWER SHELL
61	4032.850	FUSE
62	4160.639	GROUND TERMINALS
63	4033.301	FUSE HOLDER
64	4033.017	PC-BOARD
65	4032.771	ELECTRICAL LINE FILTER
66	4033.292	COMPONENTS SUPPORT
67	4100.656	NUT
68	4150.528	STRAIN RELIEF
69	4033.251	PC-BOARD PROTECTION
70	4033.274	CONTROL PANEL GASKET
71	4033.272	CONTROL PANEL
72	4033.273	CONTROL PANEL LABEL
73	4162.467	THERMOSTAT CAP
74	4161.400	THERMOSTAT PLUG
75	4111.119	THERMOSTAT SOCKET
76	4165.204	SWITCH
77	4033.253	POWER CORD SCHUKO
77-A	4033.302	POWER CORD UK
77-B	4033.252	POWER CORD NEW-ZEALAND